



Supporting you

1300 362 923

www.healthtec.com.au

BEAUTY & MASSAGE

EVO2 Deluxe Spa Chair

Designed for perfect client positioning and comfort. The double lifting columns allow maximum balance during high pressure procedures.

The electric backrest adjustment ranges from +70° to lying position so a full range of treatments can be performed.

The added feature of the electric seat tilt helps reduce pressure on the clients spine and relieves muscle tension allowing the client to relax completely during injectable procedures.

The adjustable side armrests are perfect for manicures or can be removed for better access when not required. The overhead wing armrests are perfect for treatments that require the clients arm to be positioned overhead and can be removed when not in use.



Features

- Electric Height Adjustment with footswitch
- Electric Backrest & Seat tilt Adjustment with footswitch
- Manual Adjustable footrest
- Adjustable face cradle with prone armrest
- Face crest cushion & supine head pad
- Wing armrest extensions
- Lift up & removable side armrests
- 75mm triple layered comfort foam
- Premium sewn edge PU upholstery
- Column base with independently lockable castors
- Durable powder coated rust resistant frame
- High quality anti-microbial vinyl & CFC free foam
- 5 year warranty electrics
- Lifetime structural warranty
- Australian designed & manufactured

Specifications

- 350kg Maximum Lifting Capacity (moving)
- 400kg Maximum Working Load (stationary)
- 470mm Minimum Height
- 970mm Maximum Height
- 650mm Table Width
- 1910mm Table Length



The Healthtec Warranty

All Healthtec™ manufactured items are covered for defects in material or workmanship for 5 years from date of purchase. Original suppliers warranty applies.

TGA AR-00106892-6

© December 2015



Medical and Surgical Requisites Pty Ltd

Call within Brisbane 07 3859 2900
Phone 1300medsurg (1300 633 787)

33 Fulcrum Street Richlands Queensland 4077
Email medical@medsurg.com.au

www.medsurg.com.au
Fax 07 3859 2995





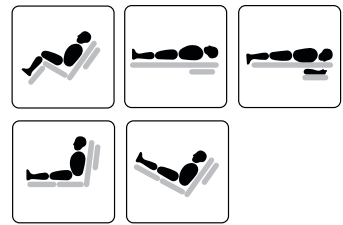
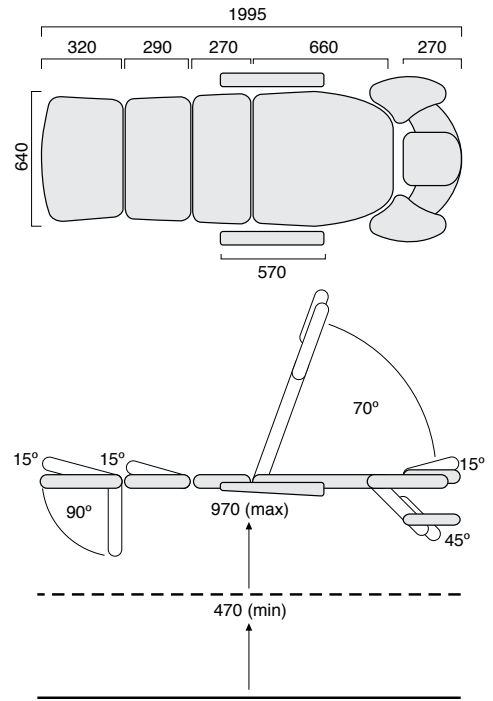
Supporting you

PRICE SHEET

www.healthtec.com.au

EVO2 Deluxe Spa Chair

	CODE	QTY
Product Description		
EVO2 Deluxe Spa Chair	55401	
Warranty Options		
Extended Warranty 10yrs Frame and Electrics	7800	
Freight		
Freight charges are not included in our prices. Please contact your Healthtec representative for freight costs and options.		
Shipping Dimensions	2000mm x 800mm x 600mm	
Shipping Weight	120kg (approximately)	



Medical and Surgical Requisites Pty Ltd

Call within Brisbane 07 3859 2900 33 Fulcrum Street Richlands Queensland 4077 www.medsurg.com.au
 Phone 1300medsurg (1300 633 787) Email medical@medsurg.com.au Fax 07 3859 2995

